

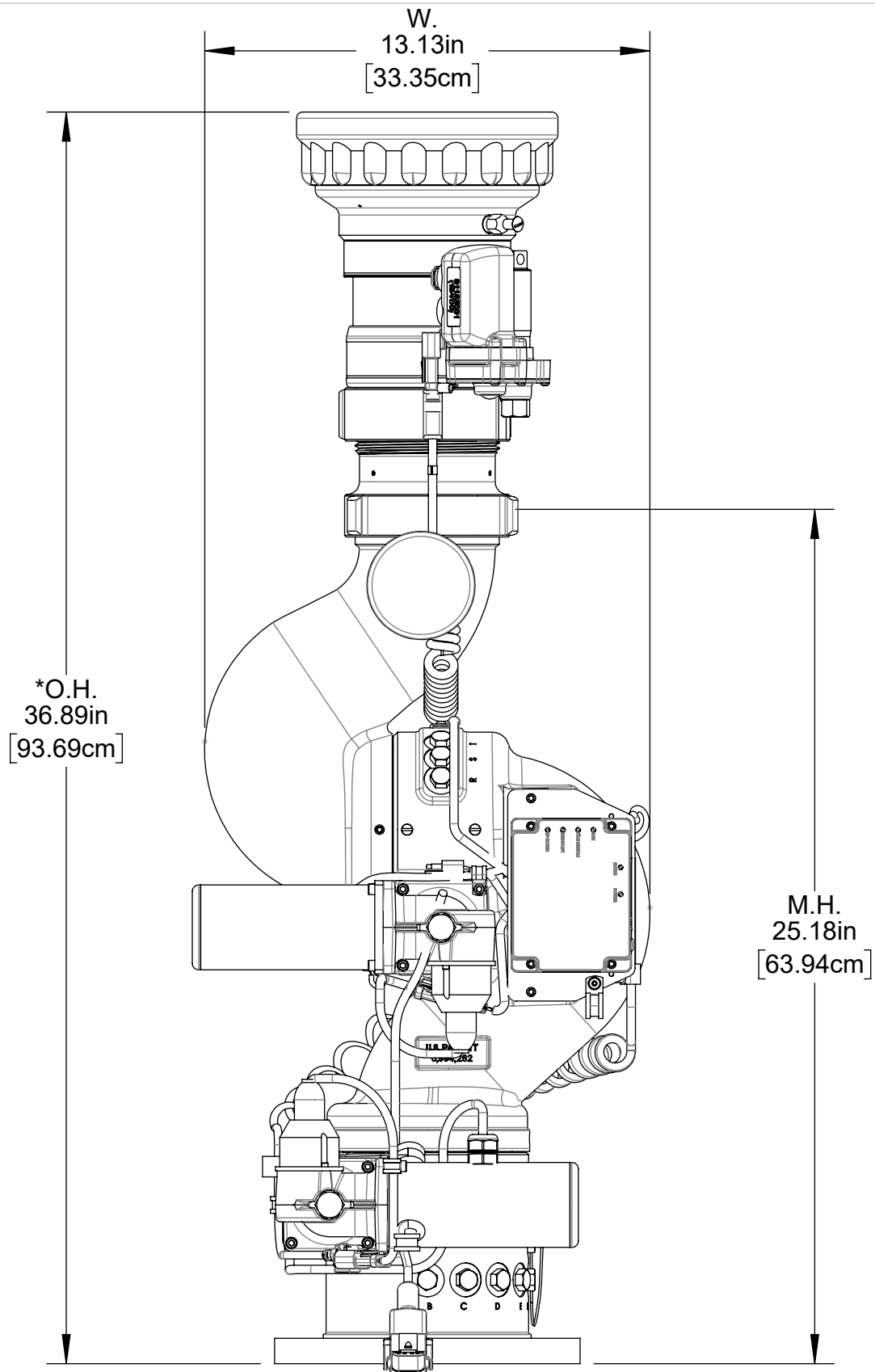
0.75in
[1.91cm]

 **ELKHART BRASS**
Fire Fighting Equipment


THIS DRAWING CONTAINS INFORMATION THAT IS PROPRIETARY TO ELKHART BRASS MFG CO., INC. AND MAY NOT BE USED TO PRODUCE ANY PARTS, ASSEMBLIES OR PRODUCTS DESCRIBED HEREIN WITHOUT EXPRESS WRITTEN PERMISSION

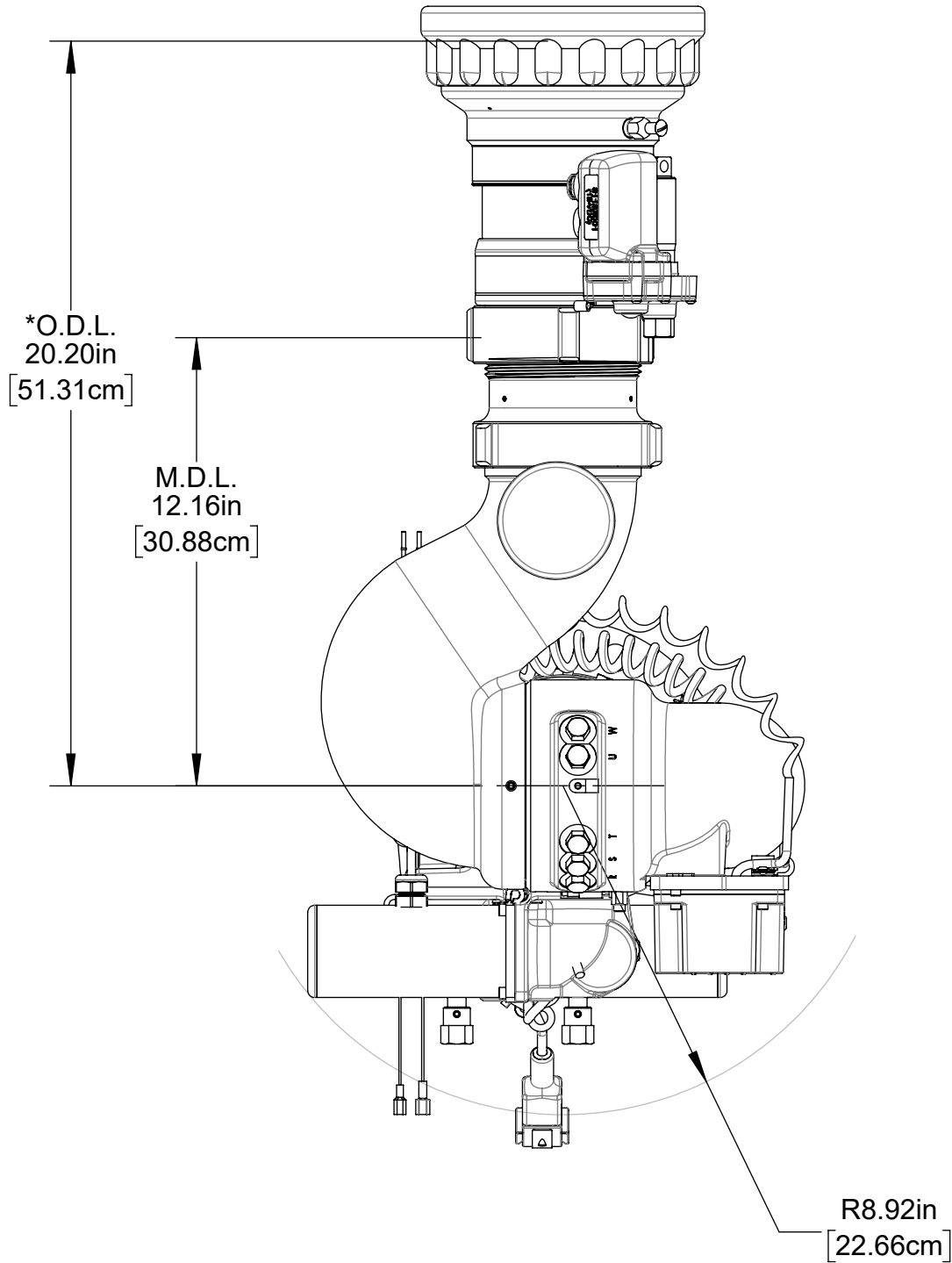
BOAX2 2000 (02007451) DIMENSIONAL
PAGE 1 OF 6
07/23/2019

BASE
DIMENSIONAL




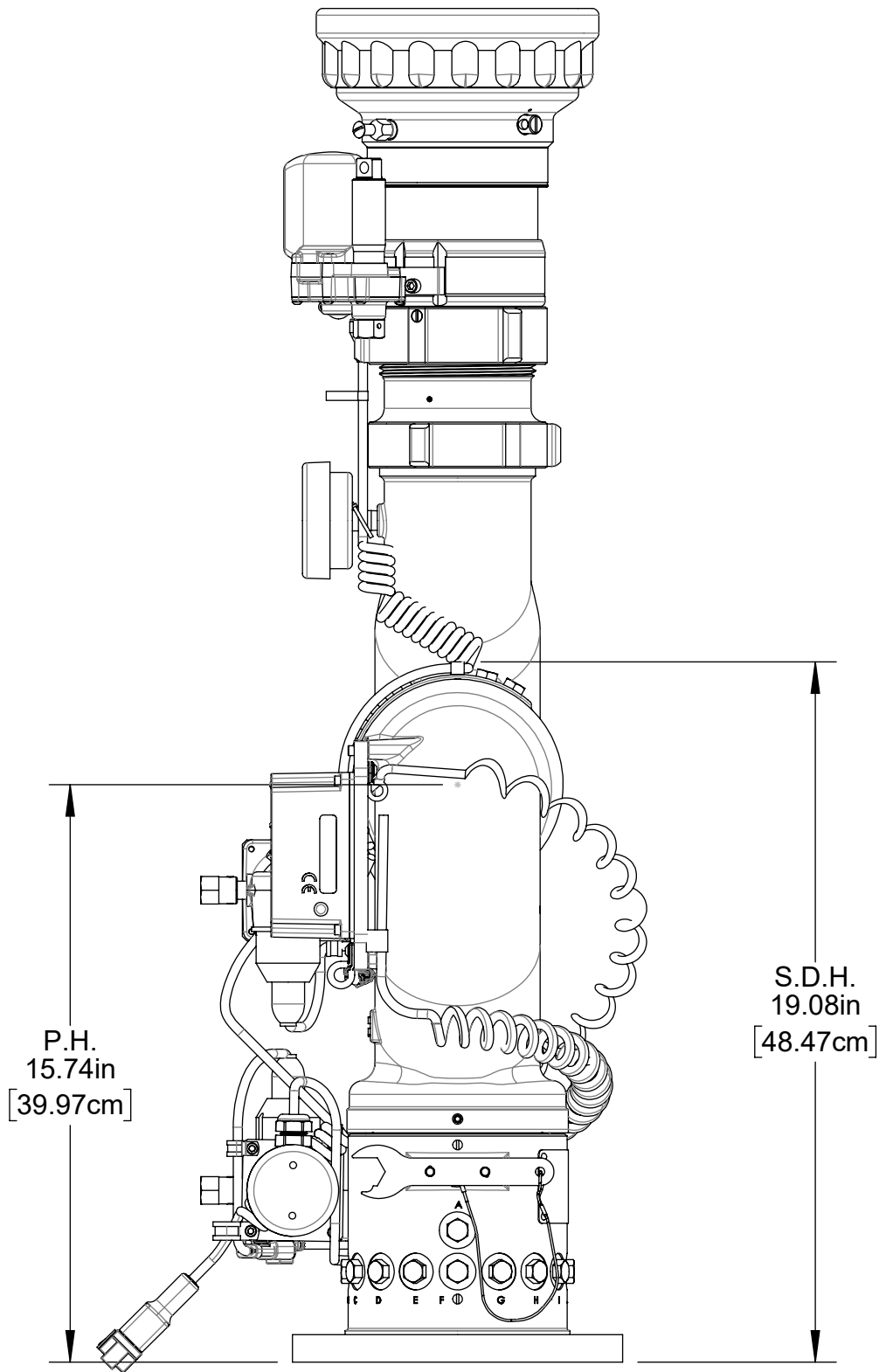
*TYPICAL - SEE INDIVIDUAL NOZZLE DRAWINGS

	ELKHART BRASS <small>Fire Fighting Equipment</small>	
	<small>THIS DRAWING CONTAINS INFORMATION THAT IS PROPRIETARY TO ELKHART BRASS MFG CO., INC. AND MAY NOT BE USED TO PRODUCE ANY PARTS, ASSEMBLIES OR PRODUCTS DESCRIBED HEREIN WITHOUT EXPRESS WRITTEN PERMISSION</small>	
<small>BOAX2 2000 (02007451) DIMENSIONAL</small>	<small>PAGE 2 OF 6</small>	<small>BACK VIEW DIMENSIONAL</small>
<small>07/23/2019</small>		



*TYPICAL - SEE INDIVIDUAL NOZZLE DRAWINGS

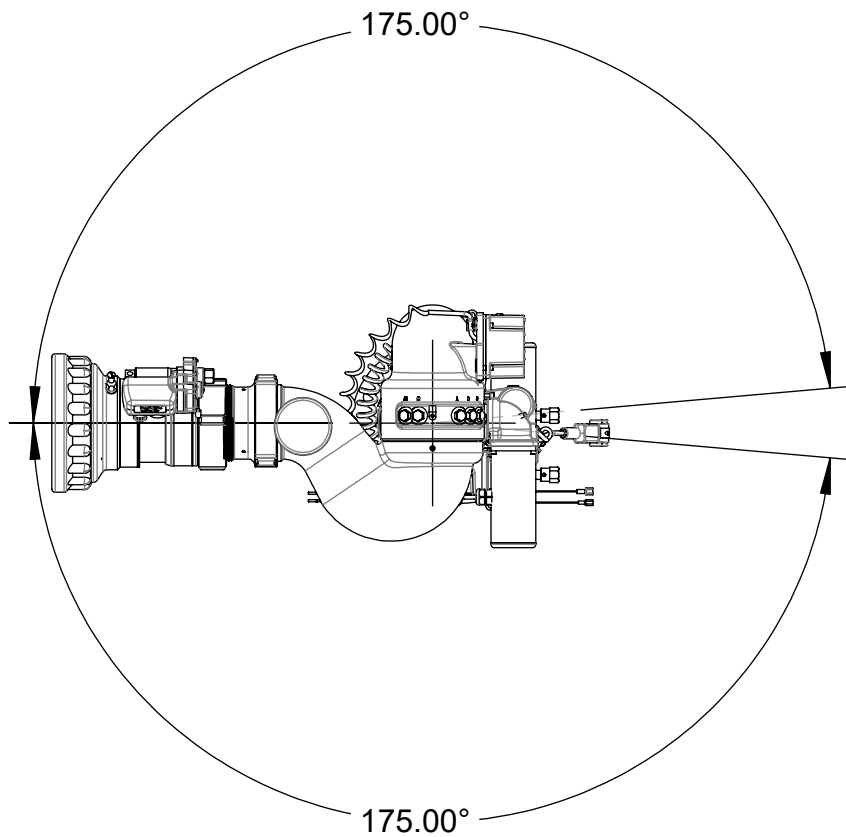
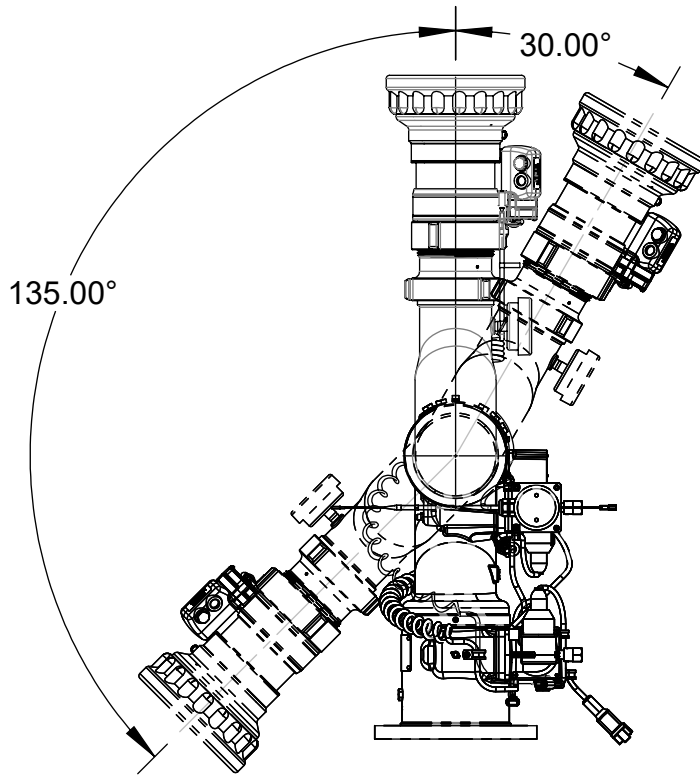
	ELKHART BRASS <small>Fire Fighting Equipment</small>	
	<small>THIS DRAWING CONTAINS INFORMATION THAT IS PROPRIETARY TO ELKHART BRASS MFG CO., INC. AND MAY NOT BE USED TO PRODUCE ANY PARTS, ASSEMBLIES OR PRODUCTS DESCRIBED HEREIN WITHOUT EXPRESS WRITTEN PERMISSION</small>	
<small>BOAX2 2000 (02007451) DIMENSIONAL</small>	<small>PAGE 3 OF 6</small>	<small>TOP VIEW DIMENSIONAL</small>
<small>07/23/2019</small>		



THIS DRAWING CONTAINS INFORMATION THAT IS PROPRIETARY TO ELKHART BRASS MFG CO., INC. AND MAY NOT BE USED TO PRODUCE ANY PARTS, ASSEMBLIES OR PRODUCTS DESCRIBED HEREIN WITHOUT EXPRESS WRITTEN PERMISSION

BOAX2 2000 (02007451) DIMENSIONAL
PAGE 4 OF 6
07/23/2019

SIDE VIEW
DIMENSIONAL



THIS DRAWING CONTAINS INFORMATION THAT IS PROPRIETARY TO ELKHART BRASS MFG CO., INC. AND MAY NOT BE USED TO PRODUCE ANY PARTS, ASSEMBLIES OR PRODUCTS DESCRIBED HEREIN WITHOUT EXPRESS WRITTEN PERMISSION

BOAX2 2000 (02007451) DIMENSIONAL
PAGE 5 OF 6
07/23/2019

RANGE OF MOTION

DIMENSIONAL ABBREVIATION KEY*	
ABBREVIATION	DESCRIPTION
D.L.	DISCHARGE LENGTH
H.H.	HANDLE HEIGHT
H.S.R.	HANDLE SWING RADIUS
M.D.L.	MONITOR DISCHARGE LENGTH
M.H.	MONITOR HEIGHT
O.D.L.	OVERALL DISCHARGE LENGTH
O.H.	OVERALL HEIGHT
O.L.	OVERALL LENGTH
P.H.	PIVOT HEIGHT
P.R.	PIVOT RADIOUS
R.	RADIUS
S.D.H.	STOW DOWN HEIGHT
W.	WIDTH
*NOT ALL ABBREVIATIONS WILL BE USED ON EVERY DRAWING	